













SIRUBA GAGE PARTS LIST	Series	Remark	Page	Date
	DL918	NM1/NH1	1/1	2012/1/10

DL918-NM1 /NH1規格件表/CONVERSION CHART

											
MODEL	SUB-CLASS	OPERATING PANEL	NEEDLE PLATE	FEED DOG	PRESSER FOOT	HOOK ASM	BOBBIN CASE ASM	BOBBIN	NEEDLE	HAND WHEEL	MOTOR
機 型	規 格	操作盒	針 板	送 具	押 具	梭 頭	梭 殼	梭 子	針 號	手輪	馬達
DL918-NM1-10 ~ DL918-NM1-13	中厚布	LU277-A	E706	D704	P708	G121	G202	G303	DBX1 #14	LH500-E	T50D8S11
DL918-NH1-10 ~ DL918-NH1-13	厚布		E707	D714	P714	G124	G202	G303	DBX1 #22		

# SIRUBA

MODEL COMPARE LIST

Series

L918/L918U/DL918/DL7000

Remark

NM1/NH1

Page

1 / 3

Date

2013/06/10

## L918/L918U/DL918/DL7000 型別件表

MODEL	SUB-CLASS	SPRING	SPRING	ECCENTRIC	THREAD GUIDE	NEEDLE BAR	FIXED PIN	ADJUSTING KNOB	HOOK FIXER
機 型	規 格	控線彈簧	控線彈簧	偏心凸輪	擋環片	針 棒	固 定 銷	調 整 旋 鈕	旋 梭 定 位 板
NM1	薄布料 ~ 中厚料	LA31	LA22	LN38	A LA17	LN37	LC13	LC23G	LE14D
					B SK613				
NH1	中厚料 ~ 厚布料	LA131	LA122	LN63	A LA150	LN62	LC613	LC623G	LE614D
					B SK689				

<b>SIRUBA</b> MODEL COMPARE LIST	Series	Remark	Page	Date
	L918/L918U/DL918/DL7000	NM1/NH1	2 / 3	2019/01/01

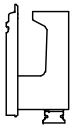






### L918/L918U/DL918/DL7000 型別件表

MODEL	SUB-CLASS	SOLENOID BRACKET	PRESSER PLATE	FIXED PLATE	FIXED PLATE	CONNECTING ROD	CONNECTING ROD	MOVABLE KNIFE	MOVABLE KNIFE	
機 型	規 格	電磁機座	押板	固定刀	固定片	連桿	連桿	活動刀	活動刀	
NM1	薄布料 ~ 中厚料	LU26	LU04	LU05	LU28	A	---	---	---	
						LU15				
						B				SK662
						C				EM050
		D	SK664							
NH1	中厚料 ~ 厚布料	LU626	LU604	LU605	LU628	---	A	---	---	
							LU615			
							B			SK677
							C			NK26/MM402
		D	SK682							
								A	LU602	
								B	SK683	

**SIRUBA**  
MODEL COMPARE LIST

Series	Remark	Page	Date
L918/L918U/DL918/DL7000	NM1/NH1	9/3	2019/01/01

L918/L918U/DL918/DL7000 型別件表

						
MODEL	SUB-CLASS	MOVABLE KNIFE CONNECTING ROD	MOVABLE KNIFE CONNECTING ROD	PRESSER PLATE	MOVABLE KNIFE	TRIMMER SOLENOID
機 型	規 格	活動刀連桿	活動刀連桿	刀座	轉子連桿	切線電磁閥
NM1	薄布料 ~ 中厚料	LU01	—	LU03	LU18	LU25
NH1	中厚料 ~ 厚布料	—	LU601	LU603	LU618	LU625

SIRUBA

PARTS LIST

Series

DL7000-NM1/NH1

Parts Group

LA

Subclass / Remark

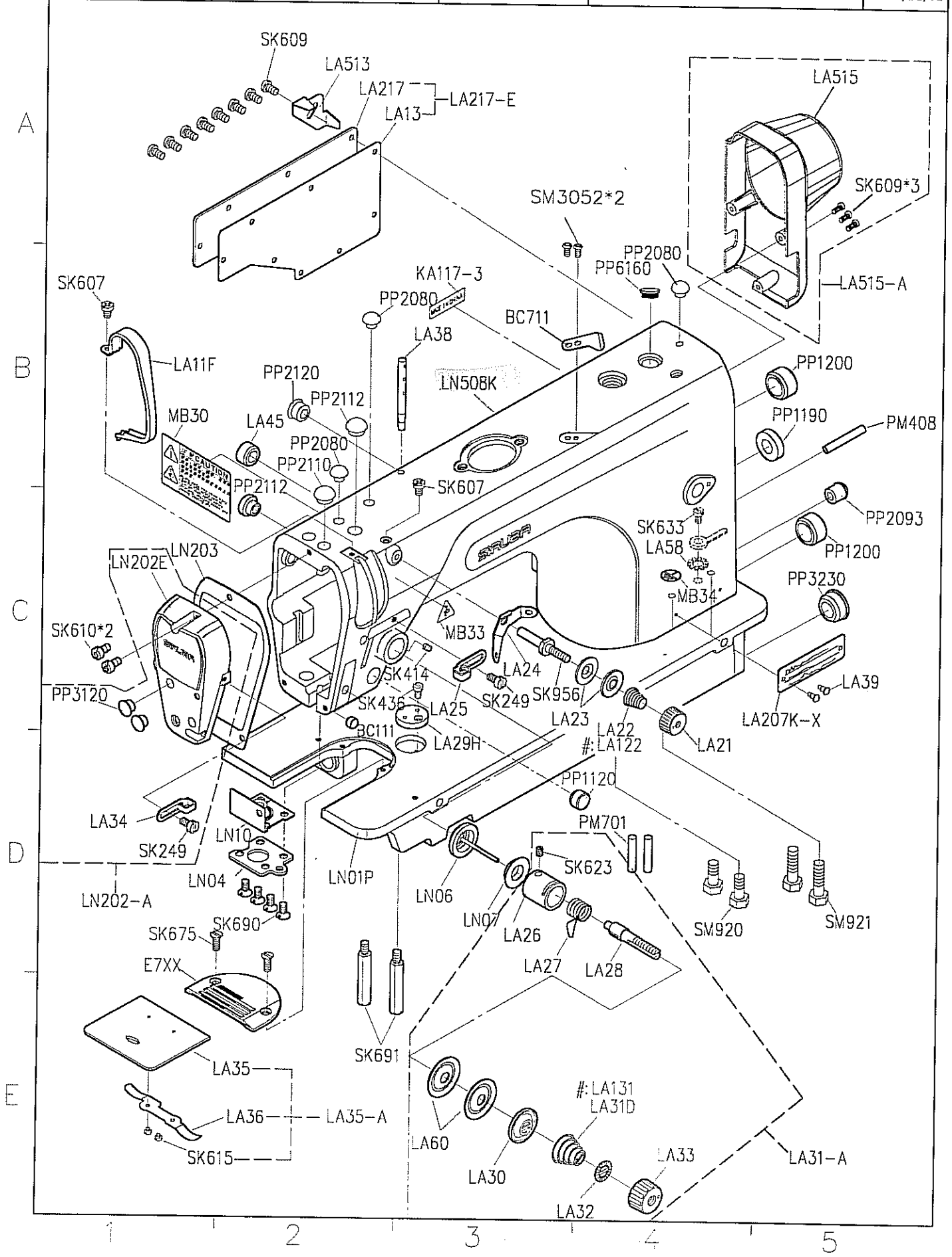
#:Use for NH1

Page

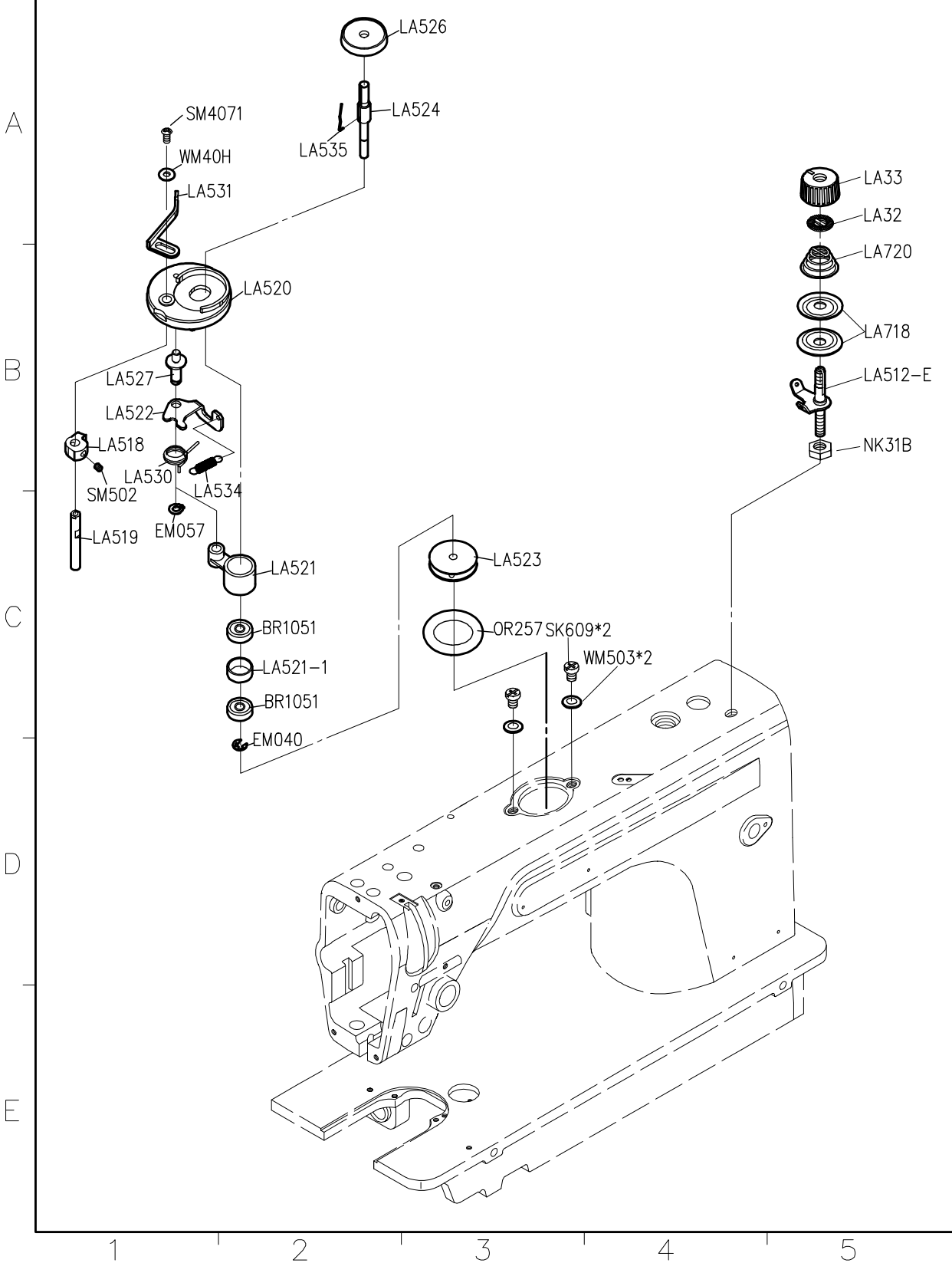
1/2

Date

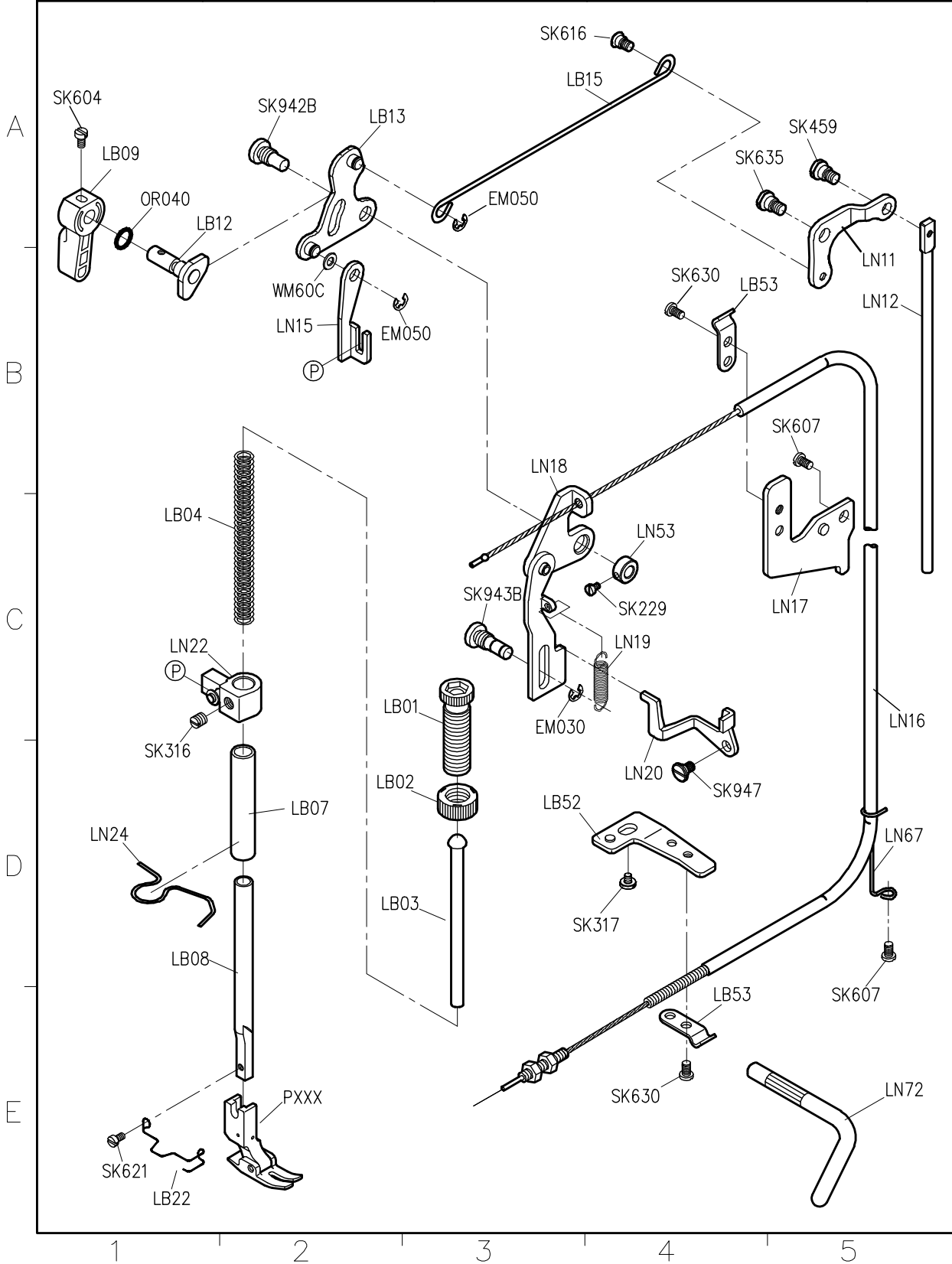
2013/08/19



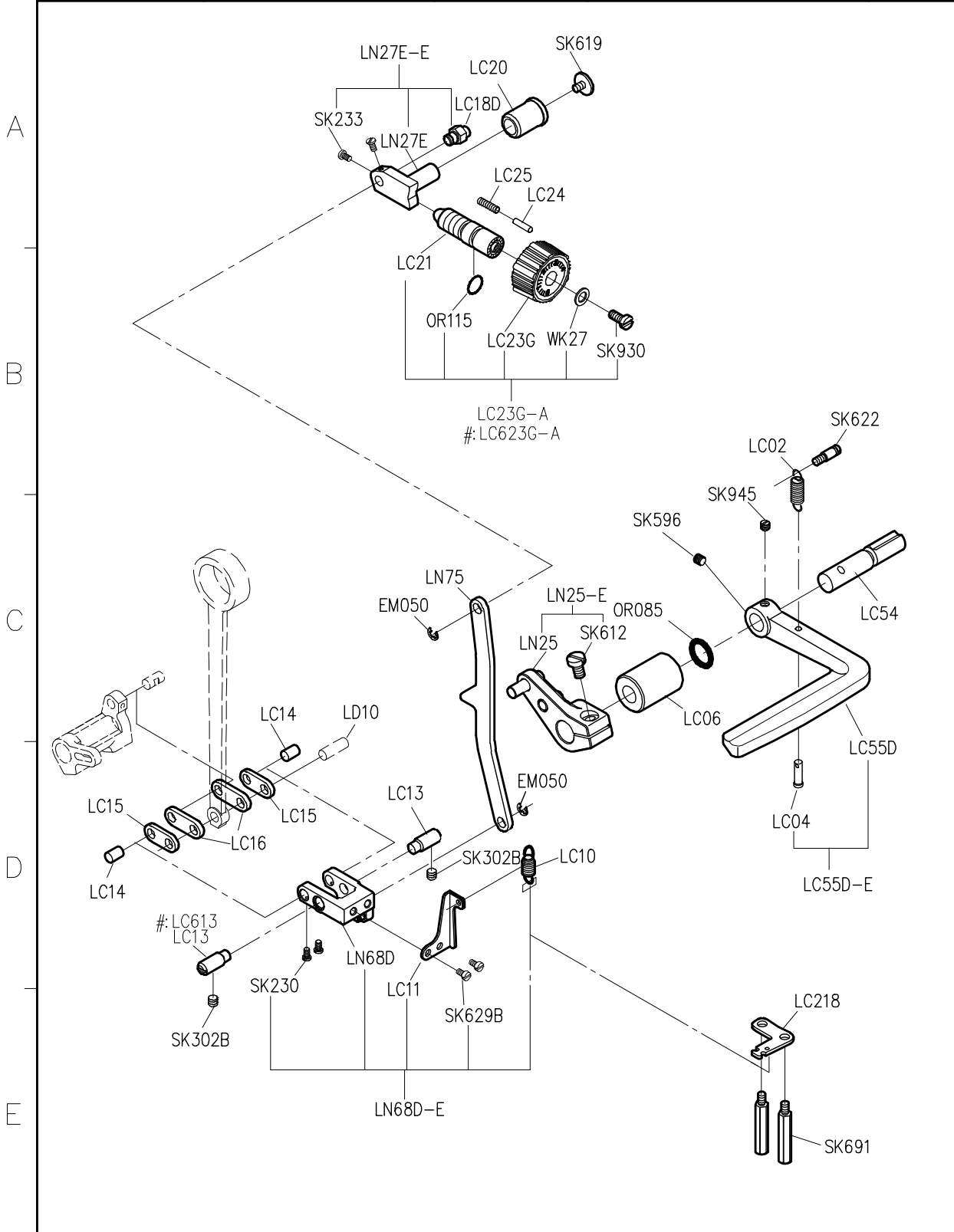
<b>SIRUBA</b> <b>PARTS LIST</b>	<b>Series</b>	<b>Parts Group</b>	<b>Subclass / Remark</b>	<b>Page</b>
	<b>DL918-NM1/NH1</b>	<b>LA</b>		<b>2/2</b>
				<b>Date</b>
				2012/09/12



<b>SIRUBA</b> <b>PARTS LIST</b>	<b>Series</b>	<b>Parts Group</b>	<b>Subclass / Remark</b>	<b>Page</b>
	<b>DL918-NM1/NH1</b>	<b>LB</b>		<b>1/1</b>
				<b>Date</b>
				<b>2012/09/12</b>



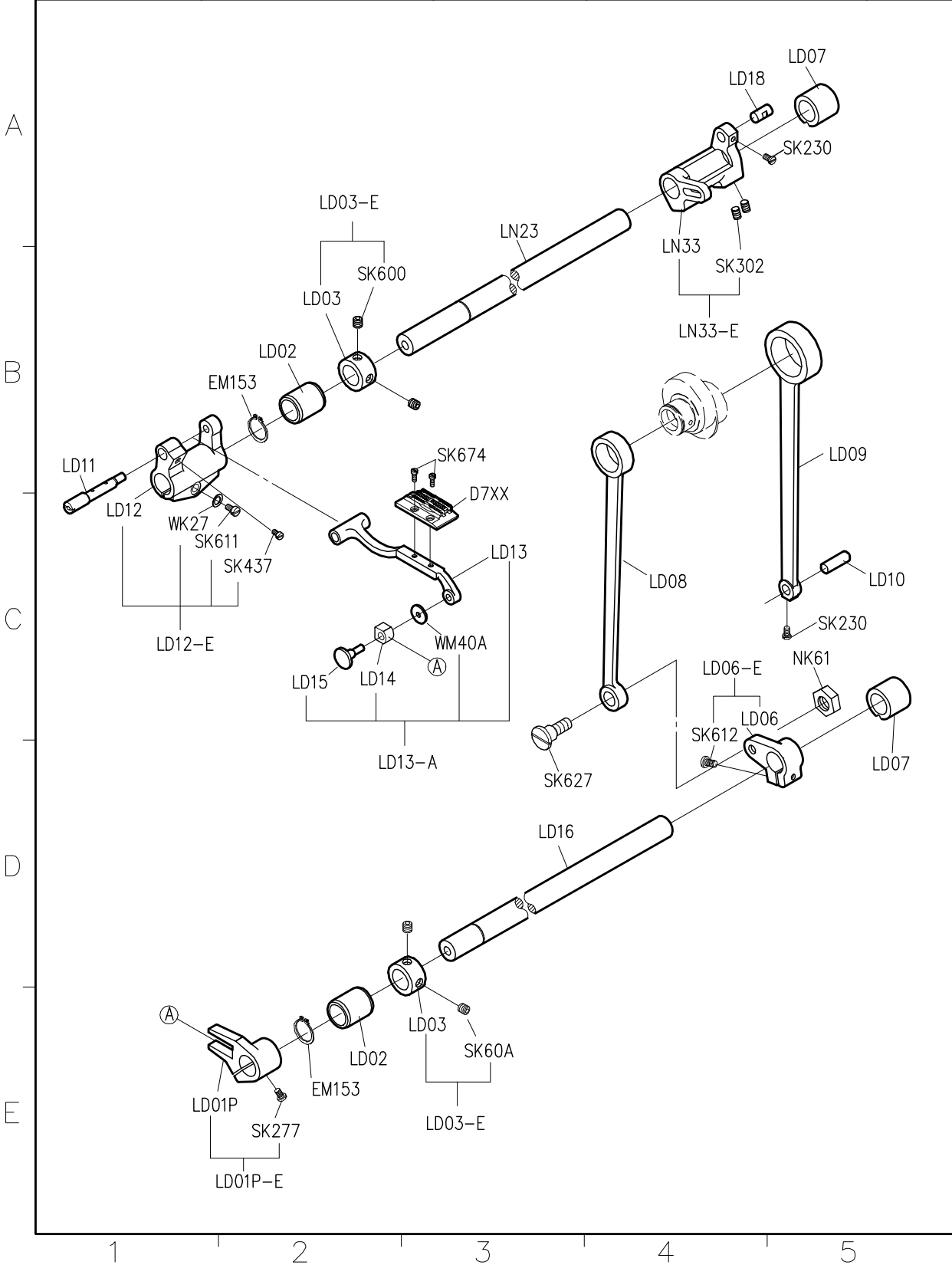
SIRUBA PARTS LIST	Series	Parts Group	Subclass / Remark	Page
	DL918-NM1/NH1	LC	#:Use for NH1	1/1
				Date
				2012/09/12



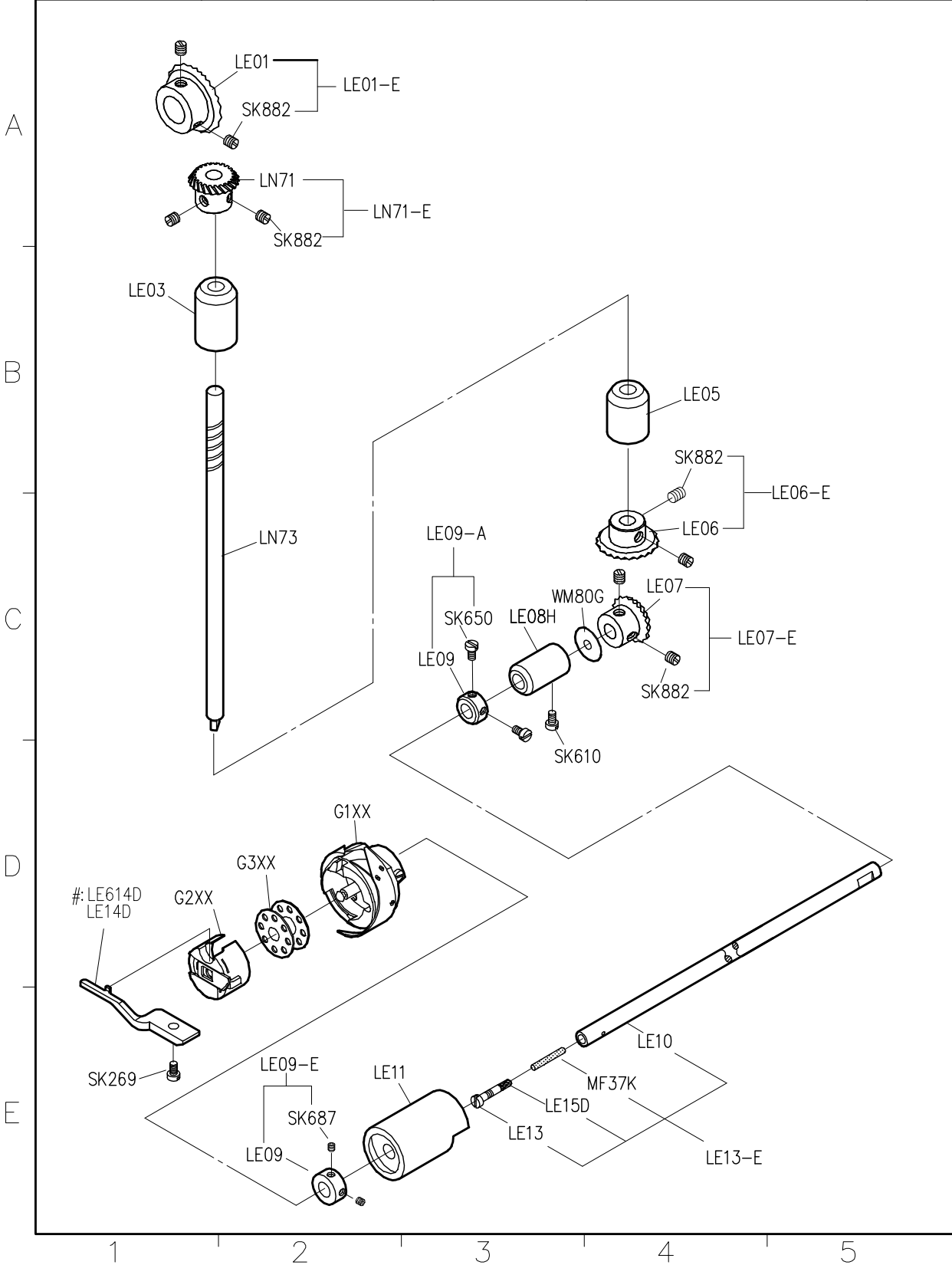
1 2 3 4 5



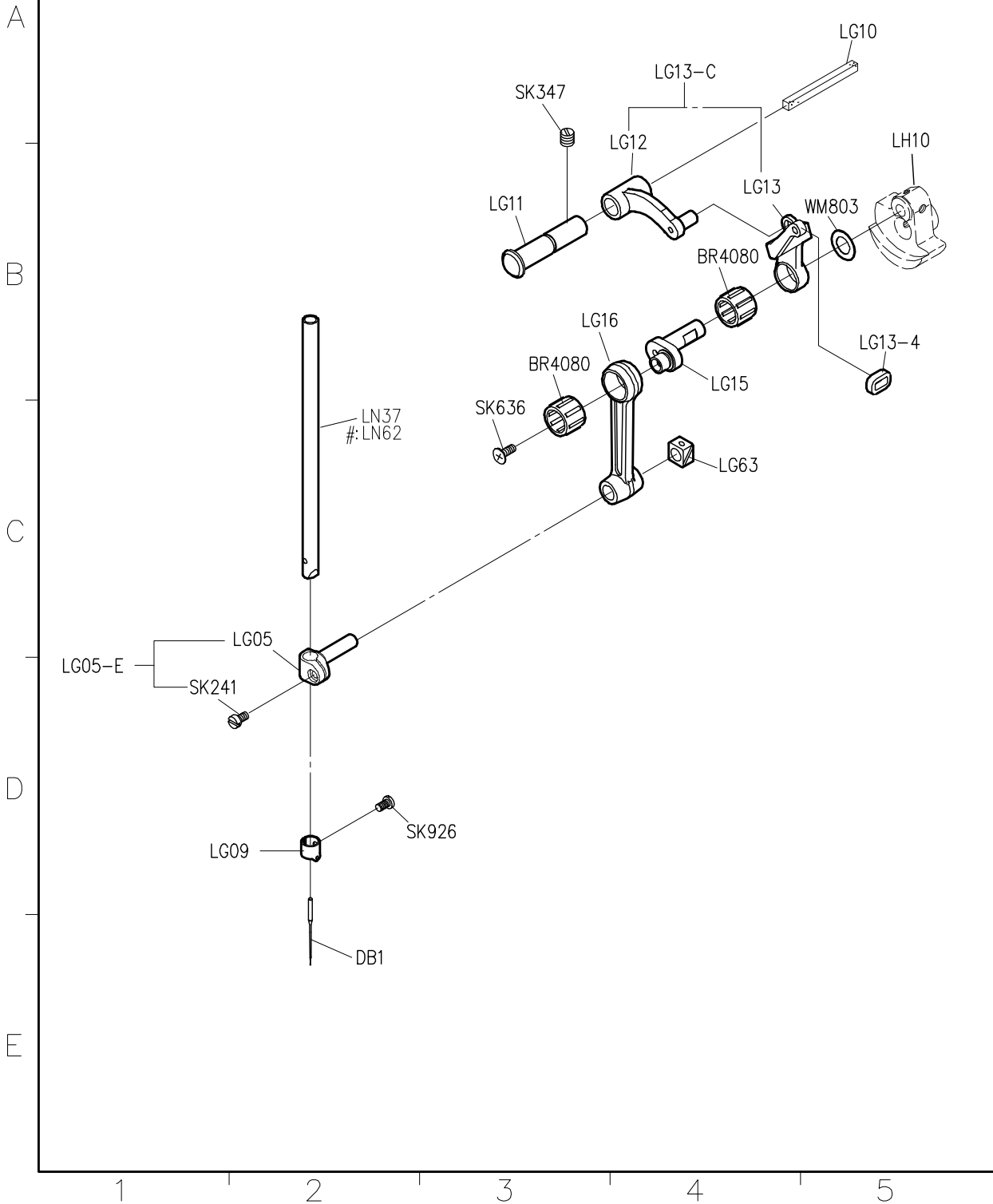
<b>SIRUBA</b> <b>PARTS LIST</b>	<b>Series</b>	<b>Parts Group</b>	<b>Subclass / Remark</b>	<b>Page</b>
	<b>DL918-NM1/NH1</b>	<b>LD</b>		<b>1/1</b>
				<b>Date</b>
				<b>2012/09/12</b>



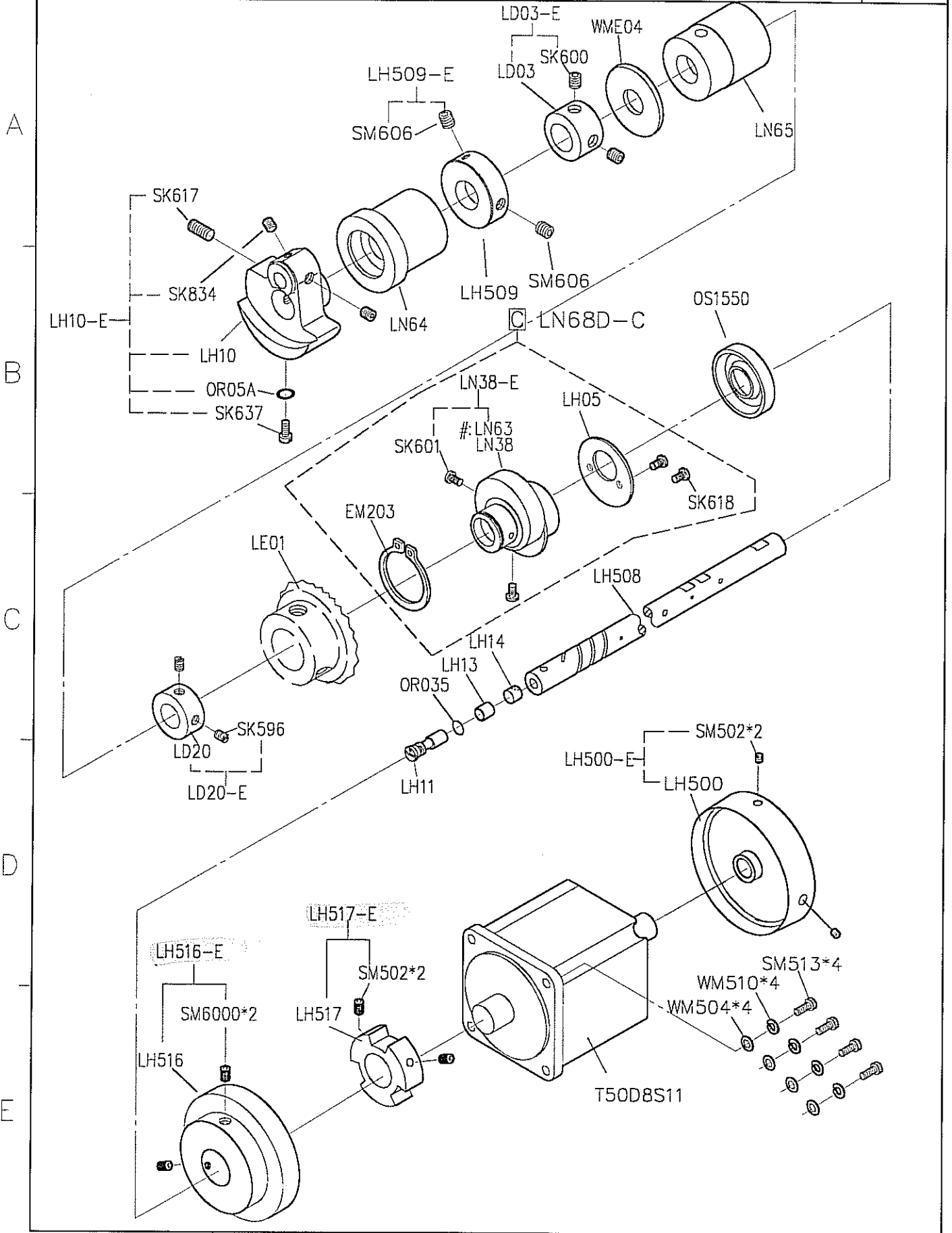
<b>SIRUBA</b> <b>PARTS LIST</b>	<b>Series</b>	<b>Parts Group</b>	<b>Subclass / Remark</b>	<b>Page</b>
	DL918-NM1/NH1	LE	#:Use for NH1	1/1
				<b>Date</b>
				2012/11/30



SIRUBA PARTS LIST	Series	Parts Group	Subclass / Remark	Page
	DL918-NM1/NH1	LG	#:Use for NH1	1/1
				Date
				2012/09/12



SIRUBA PARTS LIST	Series	Parts Group	Subclass / Remark	Page
	DL7000-NM1/NH1	LH		1/1
				Date
				2013/08/19



**SIRUBA**  
**PARTS LIST**

**Series**  
**DL918-NM1/NH1**

**Parts Group**  
**LL**

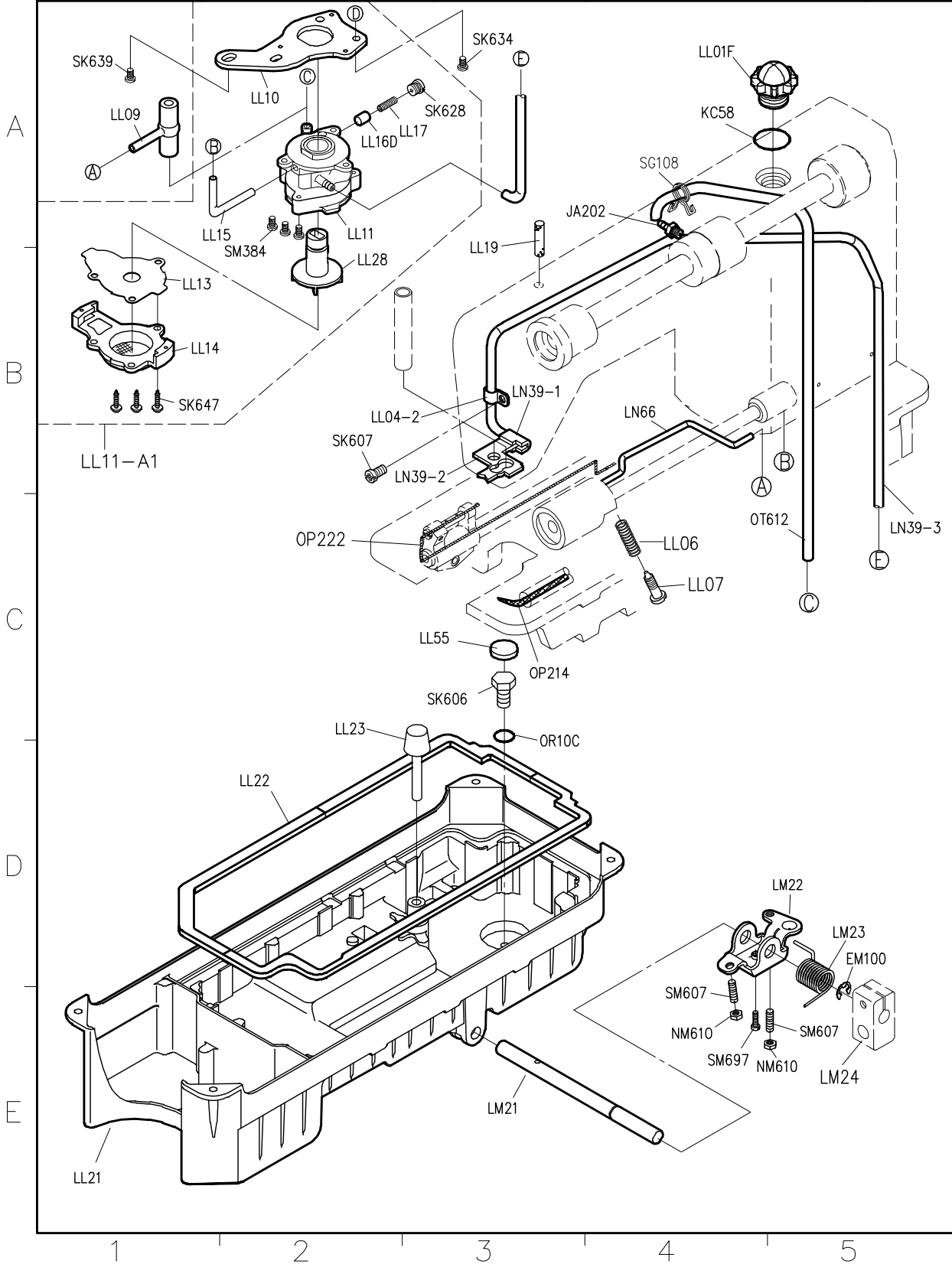
**Subclass / Remark**

**Page**

1/1

**Date**

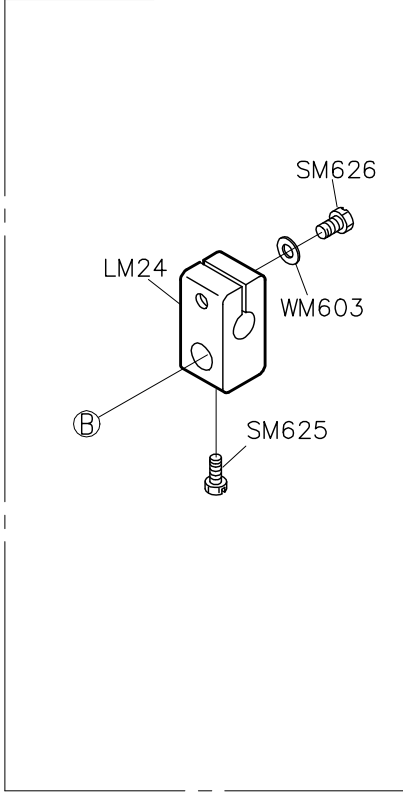
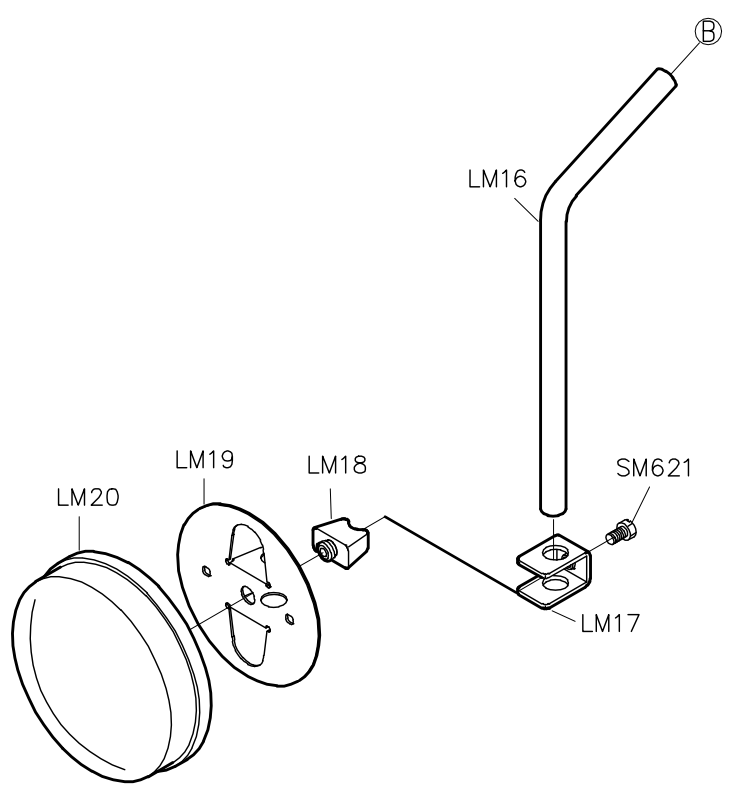
2012/12/27



<b>SIRUBA</b> <b>PARTS LIST</b>	<b>Series</b>	<b>Parts Group</b>	<b>Subclass / Remark</b>	<b>Page</b>
	<b>DL918-NM1/NH1</b>	<b>LM</b>		1/1
				<b>Date</b>
				2012/11/01

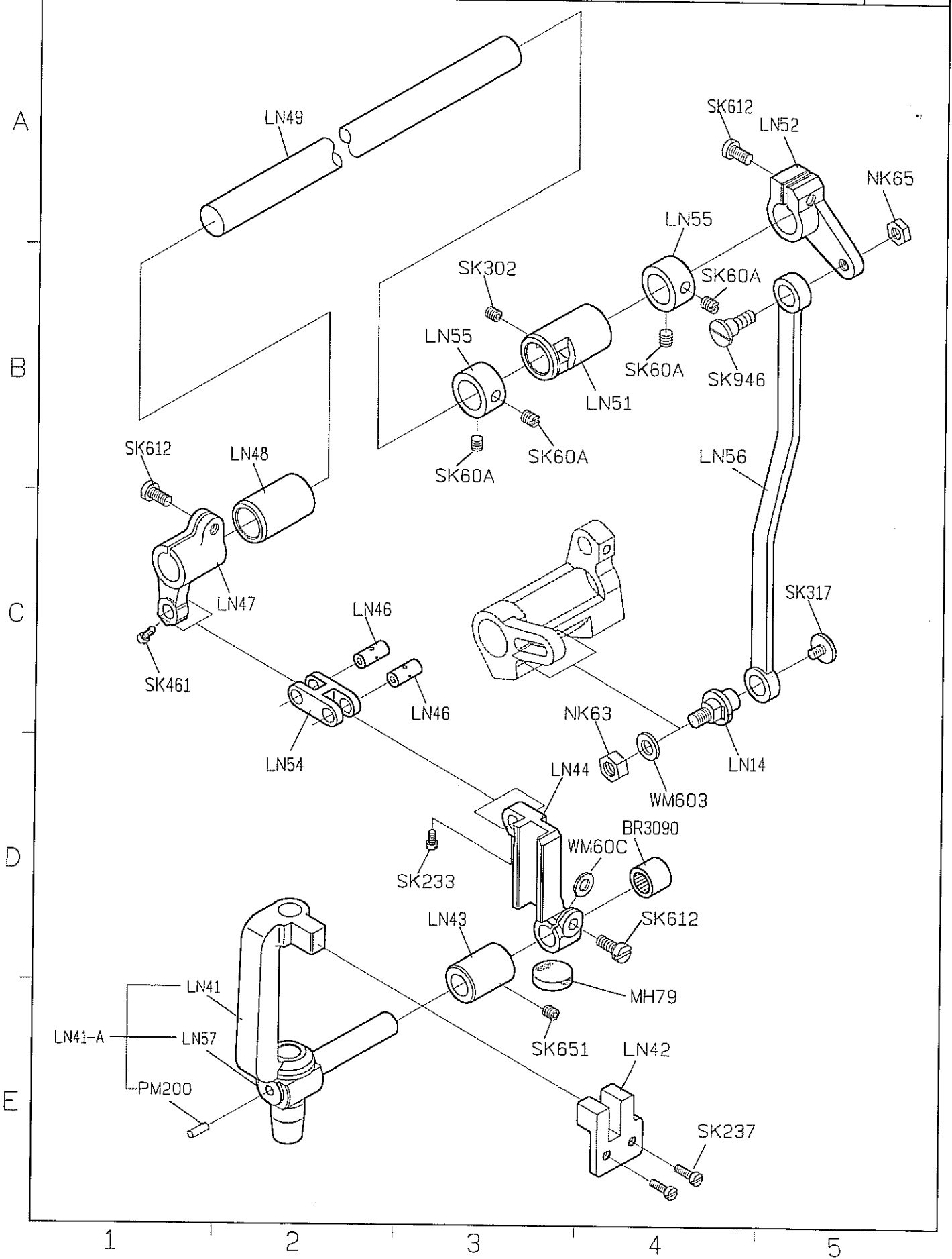
LM20-A LM24-E

A  
B  
C  
D  
E

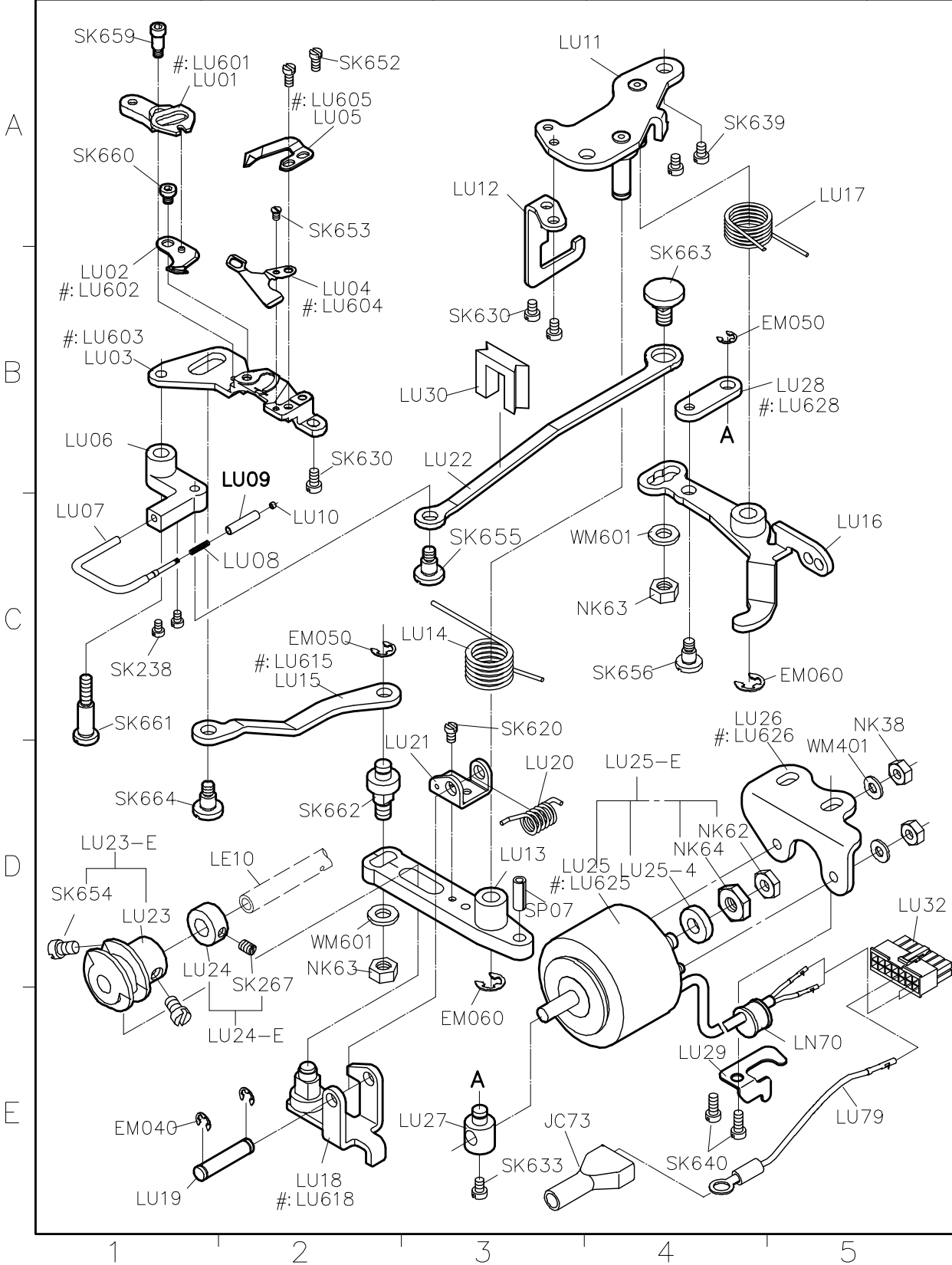


1                      2                      3                      4                      5

SiRUBA PARTS LIST	Series	Parts Group	Subclass / Remark	Page
	DL918-NM1/NH1	LN		1/1
				Date
				2013/04/19

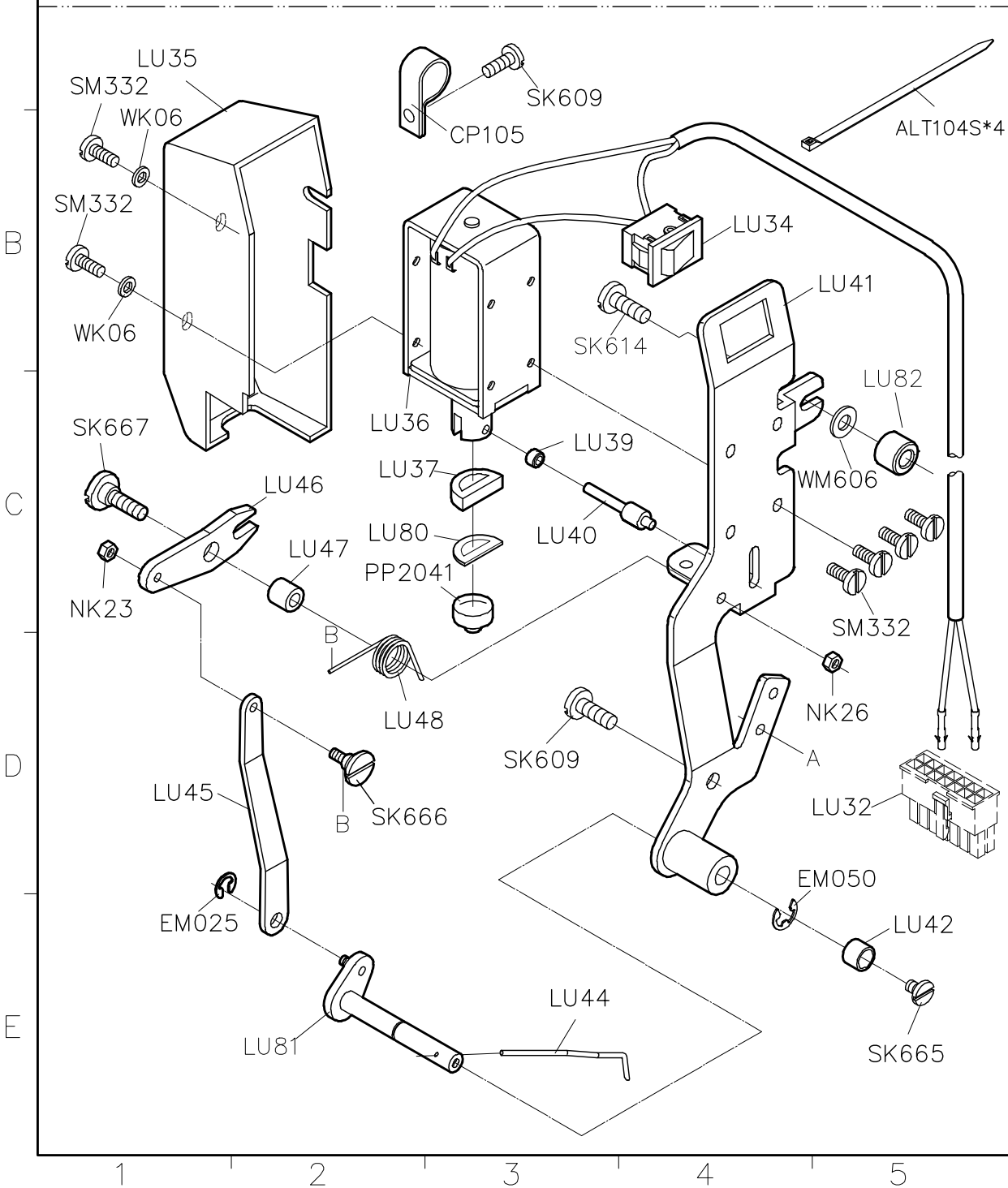
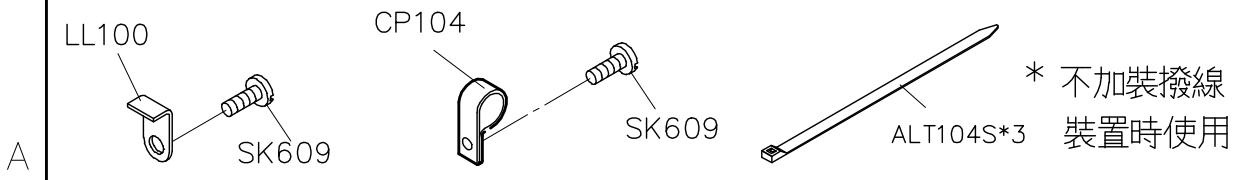


<b>SIRUBA</b> <b>PARTS LIST</b>	<b>Series</b>	<b>Parts Group</b>	<b>Subclass / Remark</b>	<b>Page</b>
	<b>DL918-NM1/NH1</b>	<b>LU</b>	#:Use for NH1	1/7
				<b>Date</b>
				2012/11/01

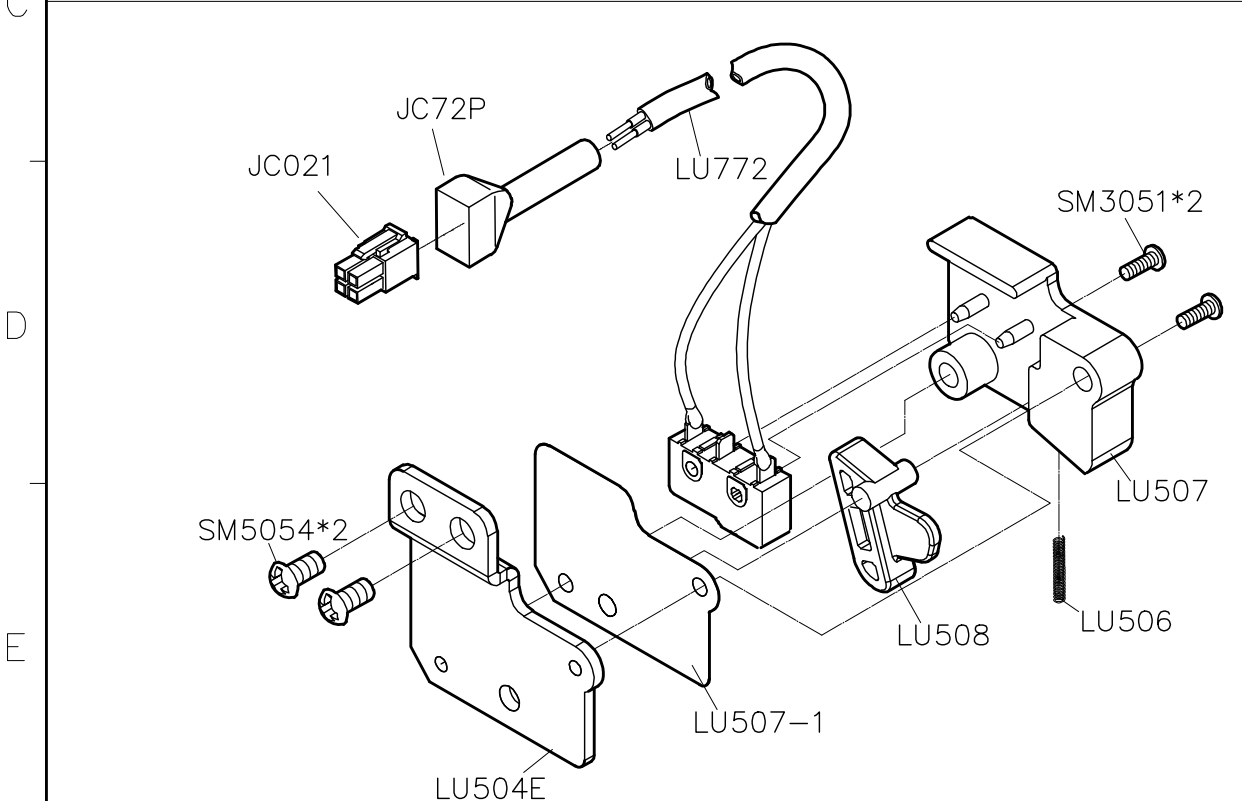
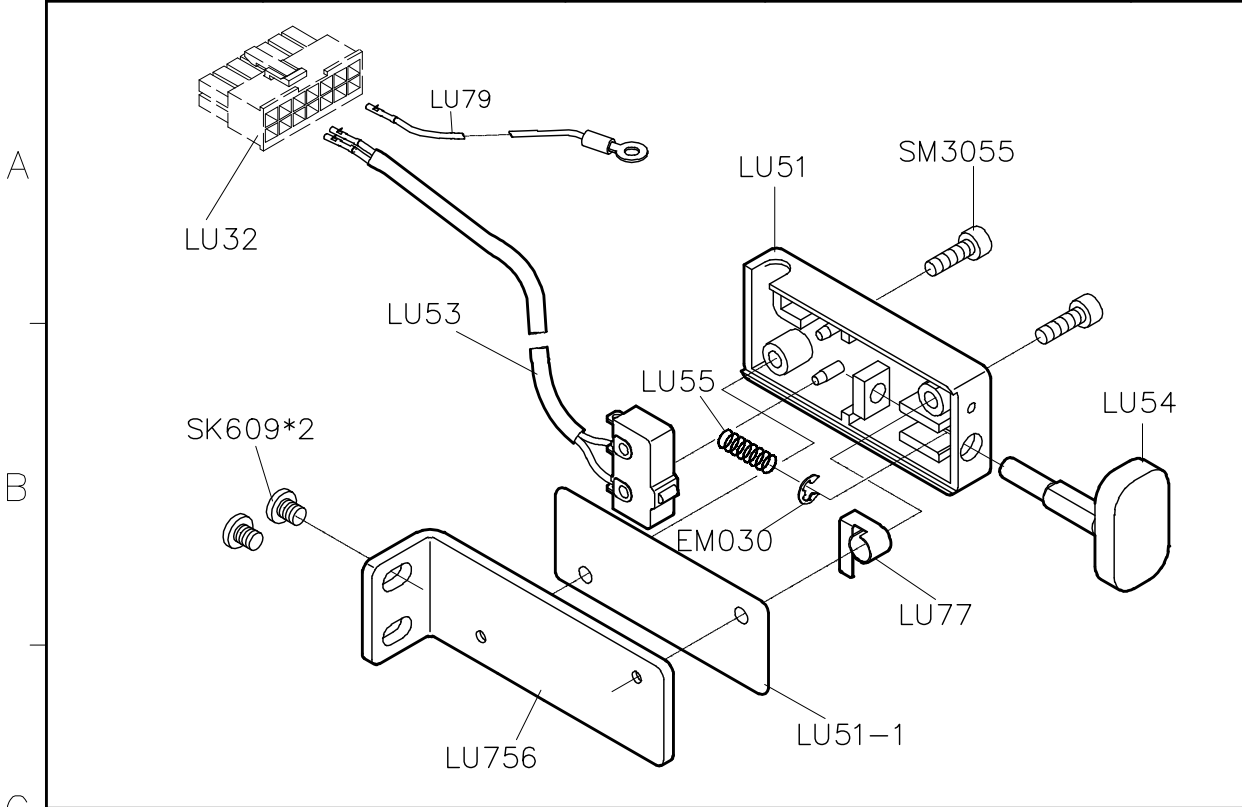




<b>SIRUBA</b> <b>PARTS LIST</b>	<b>Series</b>	<b>Parts Group</b>	<b>Subclass / Remark</b>	<b>Page</b>
	<b>DL918-NM1/NH1</b>	<b>LU</b>		2/7
				<b>Date</b>
				2012/11/01

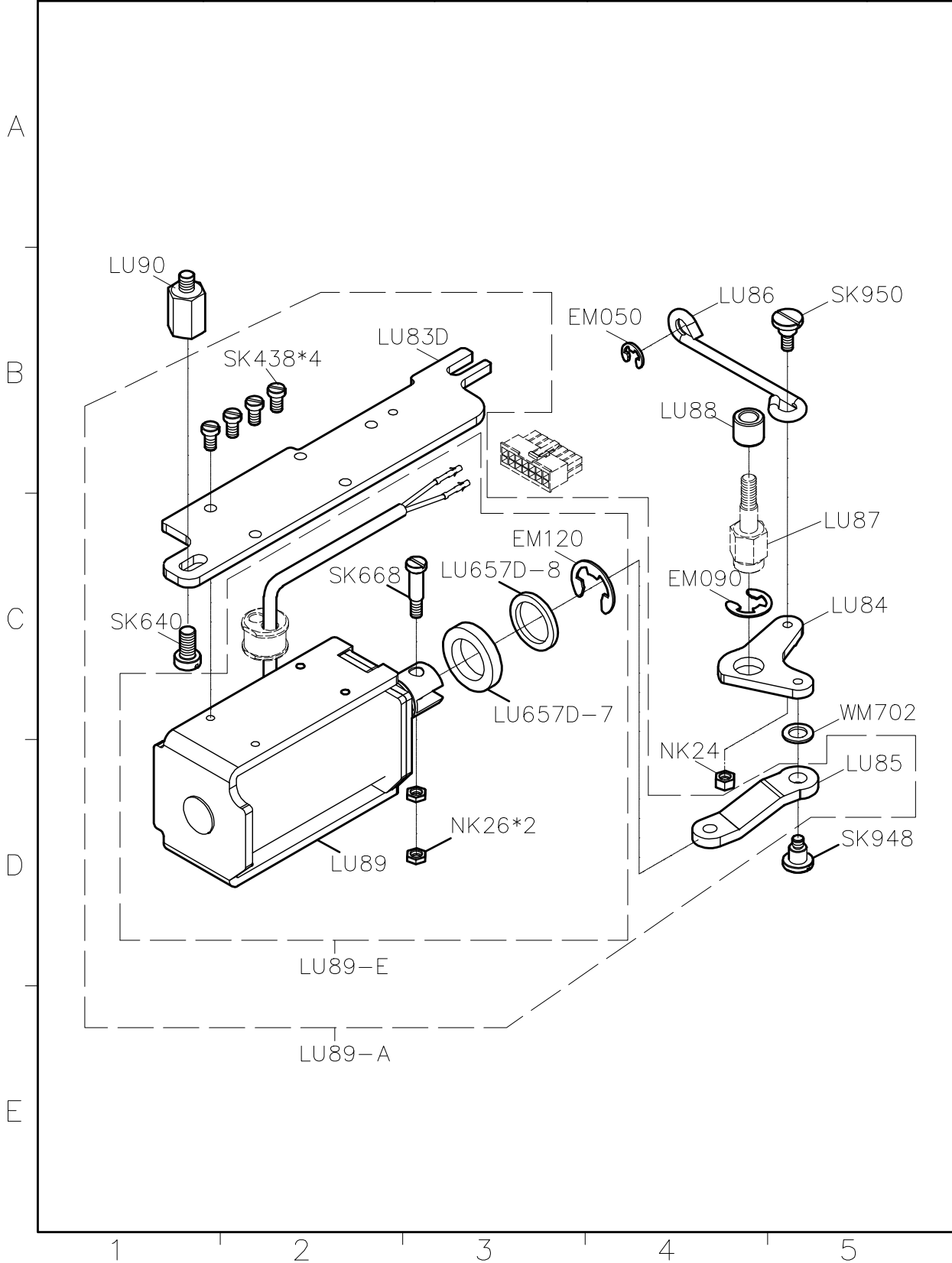


<b>SIRUBA</b> <b>PARTS LIST</b>	<b>Series</b>	<b>Parts Group</b>	<b>Subclass / Remark</b>	<b>Page</b>
	<b>DL918-NM1/NH1</b>	<b>LU</b>		<b>3/7</b>
				<b>Date</b>
				<b>2012/11/01</b>



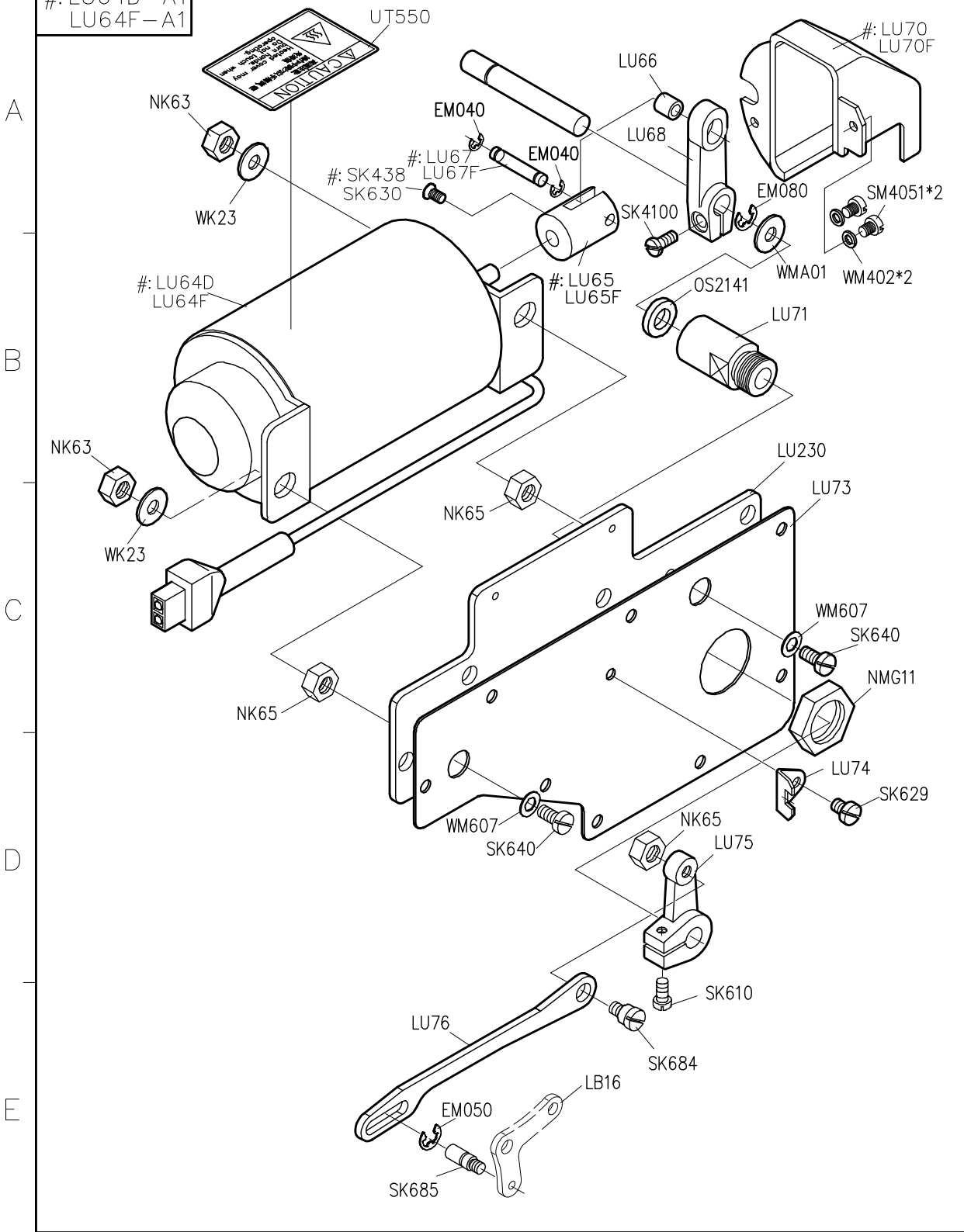
1 2 3 4 5

SIRUBA PARTS LIST	Series	Parts Group	Subclass / Remark	Page
	DL918-NM1/NH1	LU		4/7
				Date
				2012/11/01



<b>SIRUBA</b> <b>PARTS LIST</b>	<b>Series</b>	<b>Parts Group</b>	<b>Subclass / Remark</b>	<b>Page</b>
	<b>DL918-NM1/NH1</b>	<b>LU</b>	#:Use for NH1	<b>5/7</b>
				<b>Date</b>
				<b>2012/11/01</b>

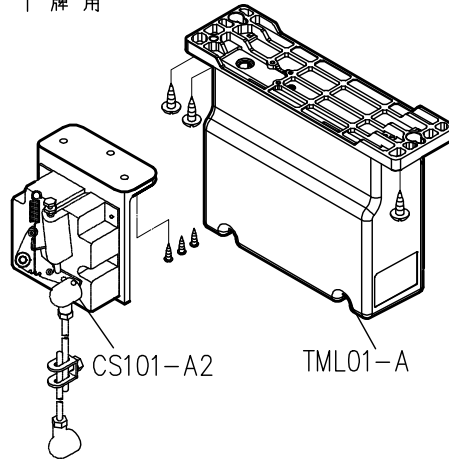
#: LU64D-A1  
LU64F-A1



<b>SIRUBA</b> <b>PARTS LIST</b>	<b>Series</b>	<b>Parts Group</b>	<b>Subclass / Remark</b>	<b>Page</b>
	<b>DL918-NM1/NH1</b>	<b>LU</b>		6/7
				<b>Date</b>
				2012/11/01

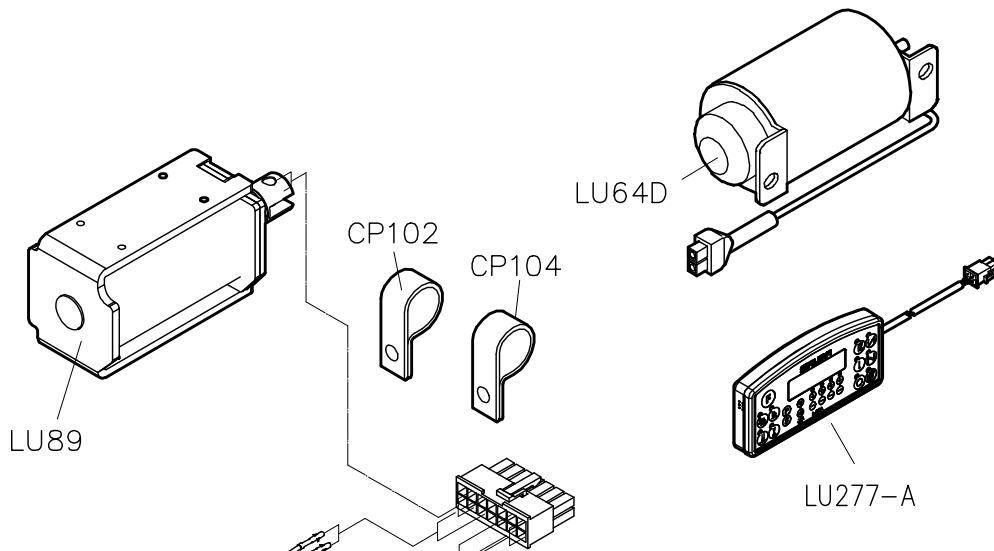
丁牌用

A



B

C



D

E

機 型	CP102使用數量	CP104使用數量
DL918-XX-00	3	0
DL918-XX-01	2	1
DL918-XX-02	3	0
DL918-XX-03	2	1
DL918-XX-10	2	1
DL918-XX-11	1	2
DL918-XX-12	2	1
DL918-XX-13	1	2

1

2

3

4

5

<b>SIRUBA</b> <b>PARTS LIST</b>	<b>Series</b>	<b>Parts Group</b>	<b>Subclass / Remark</b>	<b>Page</b>
	<b>DL918-NM1/NH1</b>	<b>LU</b>		<b>7/7</b>
				<b>Date</b>
				<b>2012/11/01</b>

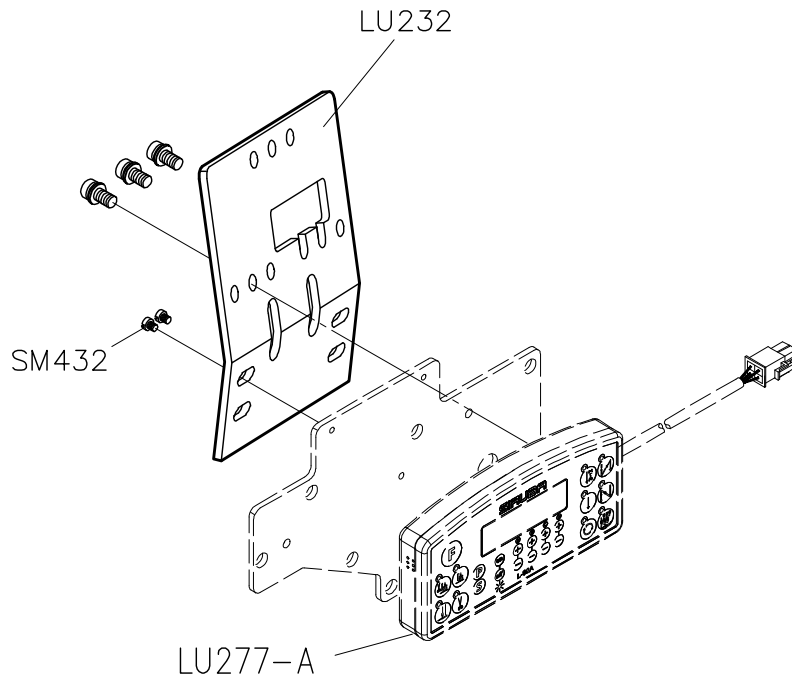
A

B

C

D

E



註：此部份置於配件箱內

代碼 NO.	操作面板 Control Panel	代碼 NO.	自動切線 Auto THREAD Trimmer	快速倒縫 Reverse Feeding	撥線桿 Wiper	自動抬押具 Auto Lifer
1	LU277-A	0	v	v	—	—
		1	v	v	V	—
		2	v	v	—	v
		3	v	v	v	v
0	—	0	v	v	—	—
		1	v	v	V	—
		2	v	v	—	v
		3	v	v	v	v

1

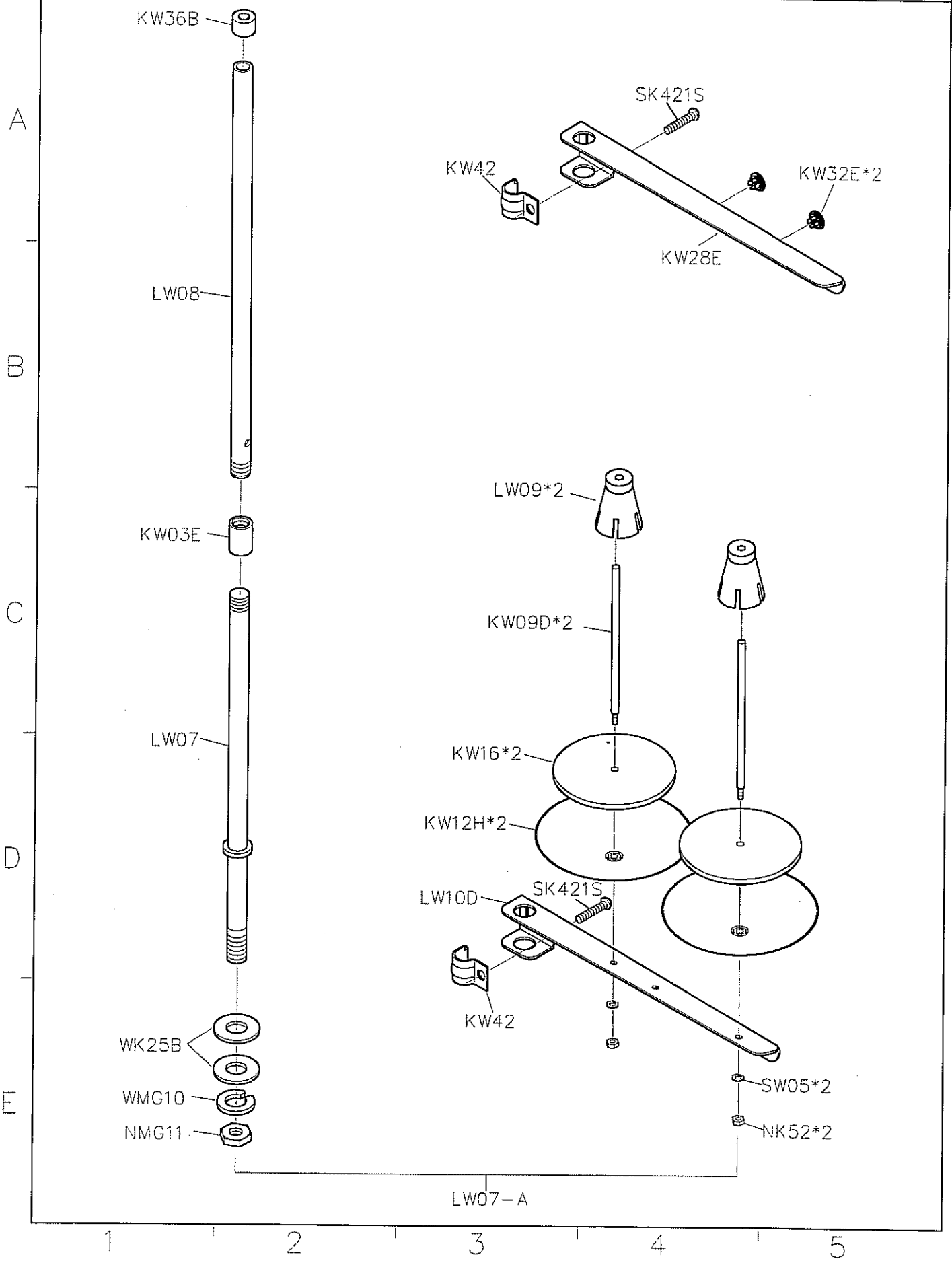
2

3

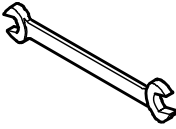
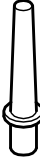
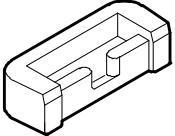
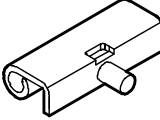

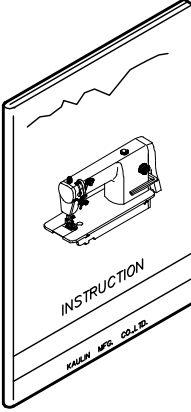
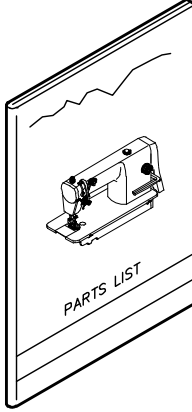

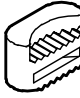



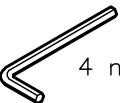

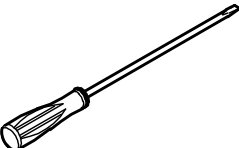
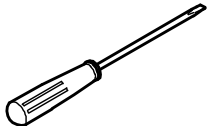
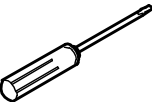

4

5

<b>SIRUBA</b> PARTS LIST	Series	Parts Group	Subclass / Remark	Page
	DL918-NM1/NH1	<b>LW</b>		1/1
				Date
				2012/04/10

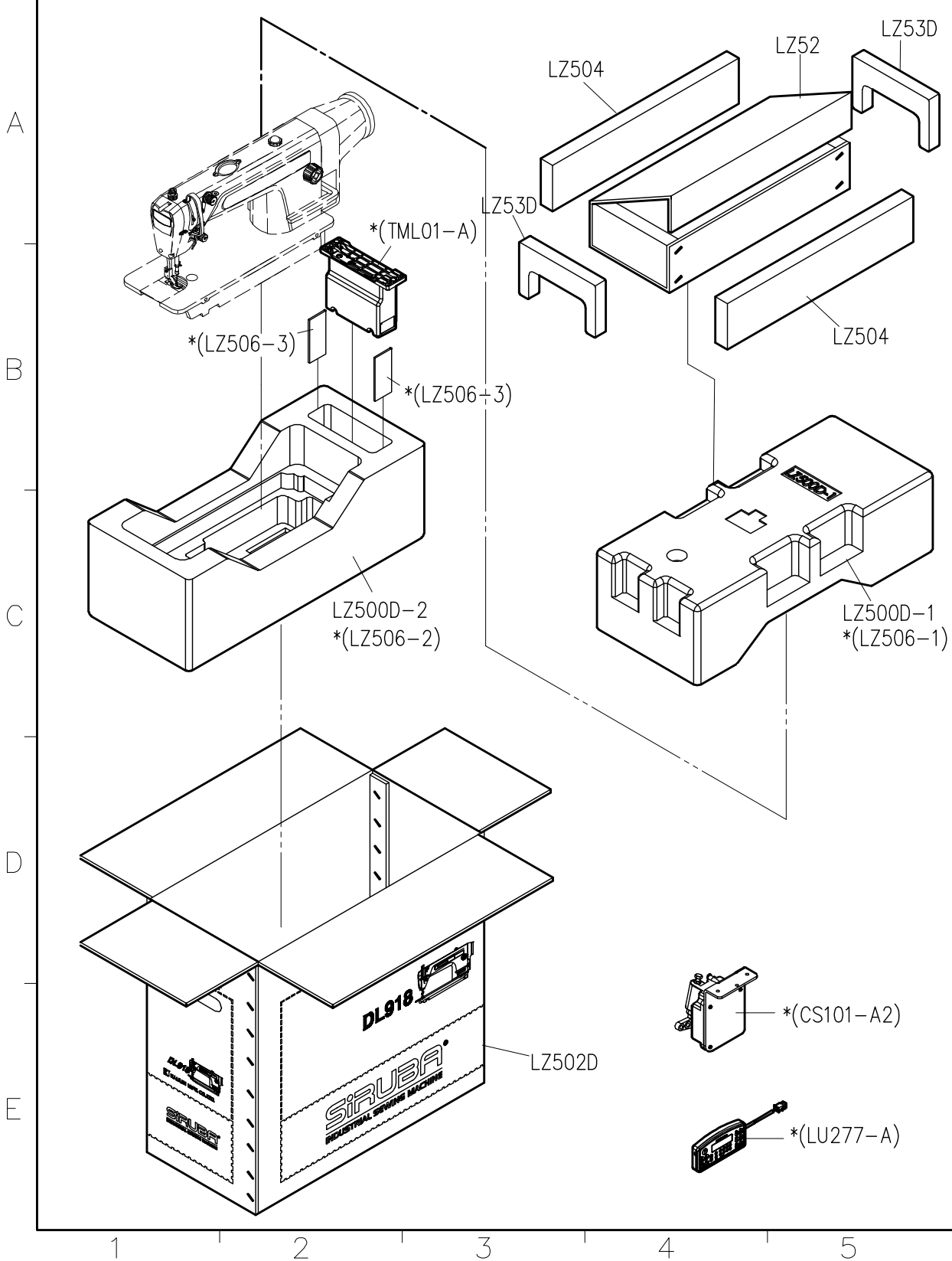


<b>SIRUBA</b> <b>PARTS LIST</b>	<b>Series</b>	<b>Parts Group</b>	<b>Subclass / Remark</b>	<b>Page</b>
	<b>DL918-NM1/NH1</b>	<b>LY</b>		1/1
				<b>Date</b>
				2012/11/01

	LY01	LY02	YM04*2	LY05*2	YM102*2
A					
B	LY530	LY531	LY37-A	YM103*2	
					
C				G3XX	
D	針*2	LY38	MY12	KZ03*1	
			 4 mm		
E	LY33	LY34	LY35	KY201	
					
	1	2	3	4	5



<b>SIRUBA</b> <b>PARTS LIST</b>	<b>Series</b>	<b>Parts Group</b>	<b>Subclass / Remark</b>	<b>Page</b>
	DL918-NM1/NH1	LZ		1/1
				<b>Date</b>
				2012/12/22



<b>SIRUBA</b> <b>TABLE</b> <b>CUT - OUT</b>	<b>Series</b>	<b>Item Code</b>	<b>Subclass / Remark</b>	<b>Mounting</b>
	<b>DL918/DL7000</b>	<b>DL918T-T1</b>		<b>Fully-submerged</b>
				<b>Date</b>
				<b>2013/01/01</b>

